



UTTERMOST

24540 Assembly Instruction

Parts/Hardware list

| | | | | | |
|---|--------------|------|---|--------------|-------|
| A | Top Shelf | 1PC | D | Screws | 16PCS |
| B | Legs | 4PCS | E | Top glass | 1PC |
| C | Bottom Shelf | 1PC | F | Bottom glass | 1PC |

1. Take the parts carefully out of the carton, and place them on a flat and soft surface.

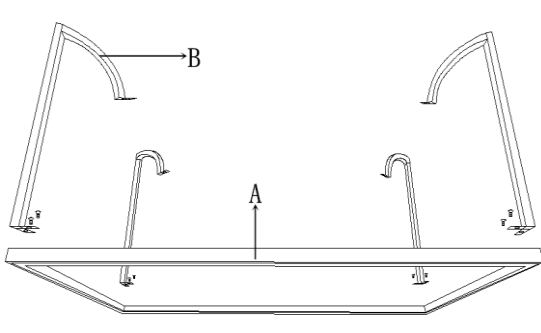
Make sure the parts will not be damaged.

2. Place the Top Shelf (A) upsidedown on a flat & soft surface.

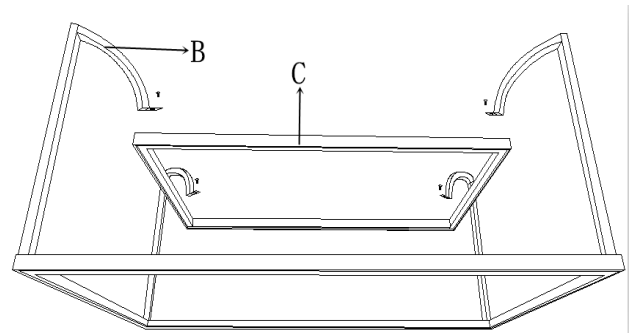
3. Assemble 4 Legs (B) on the Top Shelf (A) using 8 Screws. Refer to below picture (1).

Please match color dot on different parts during assembling

4. Assemble Bottom Shelf (C) on 4 Legs (B) using 8 Screws. Refer to picture (2).



(1)



(2)

5. Turn over table. Then please carefully place the Top glass (E) on the Top shelf (A), the Bottom glass (F) on the Bottom shelf (C) like below picture.

Feet pads is adjustable if table is not stable.

6. To clean, wipe with soft dry cloth.

